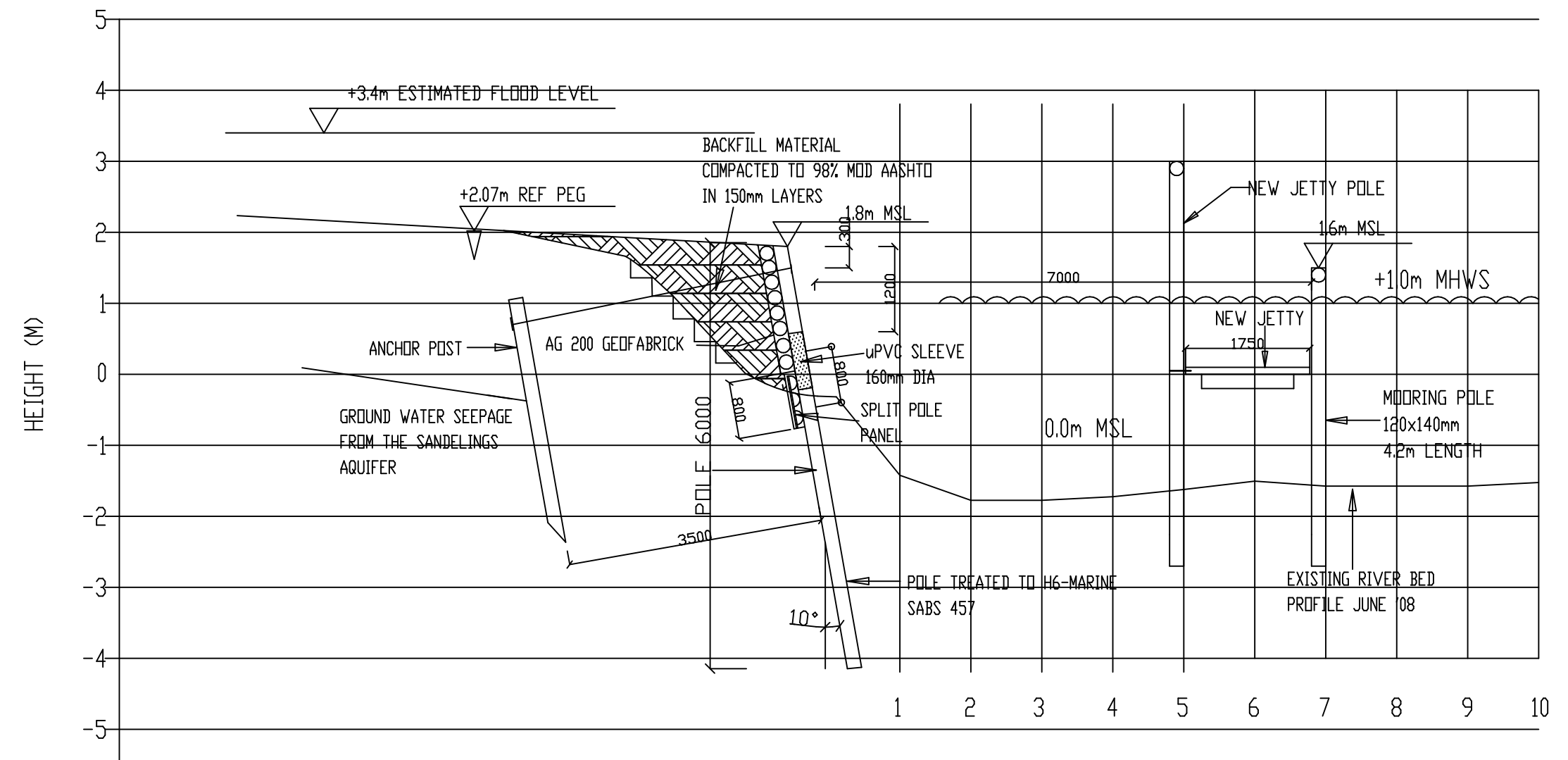
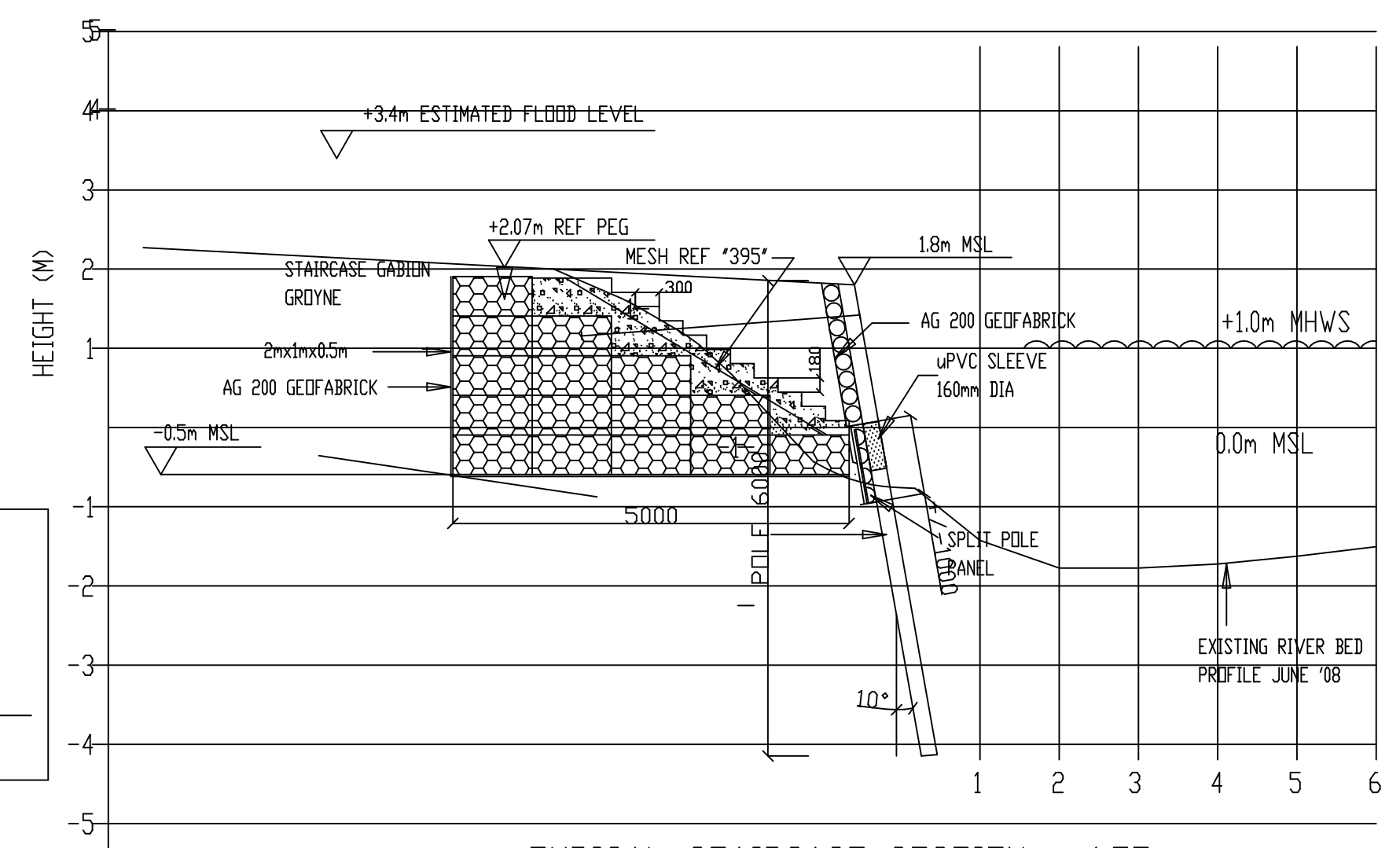


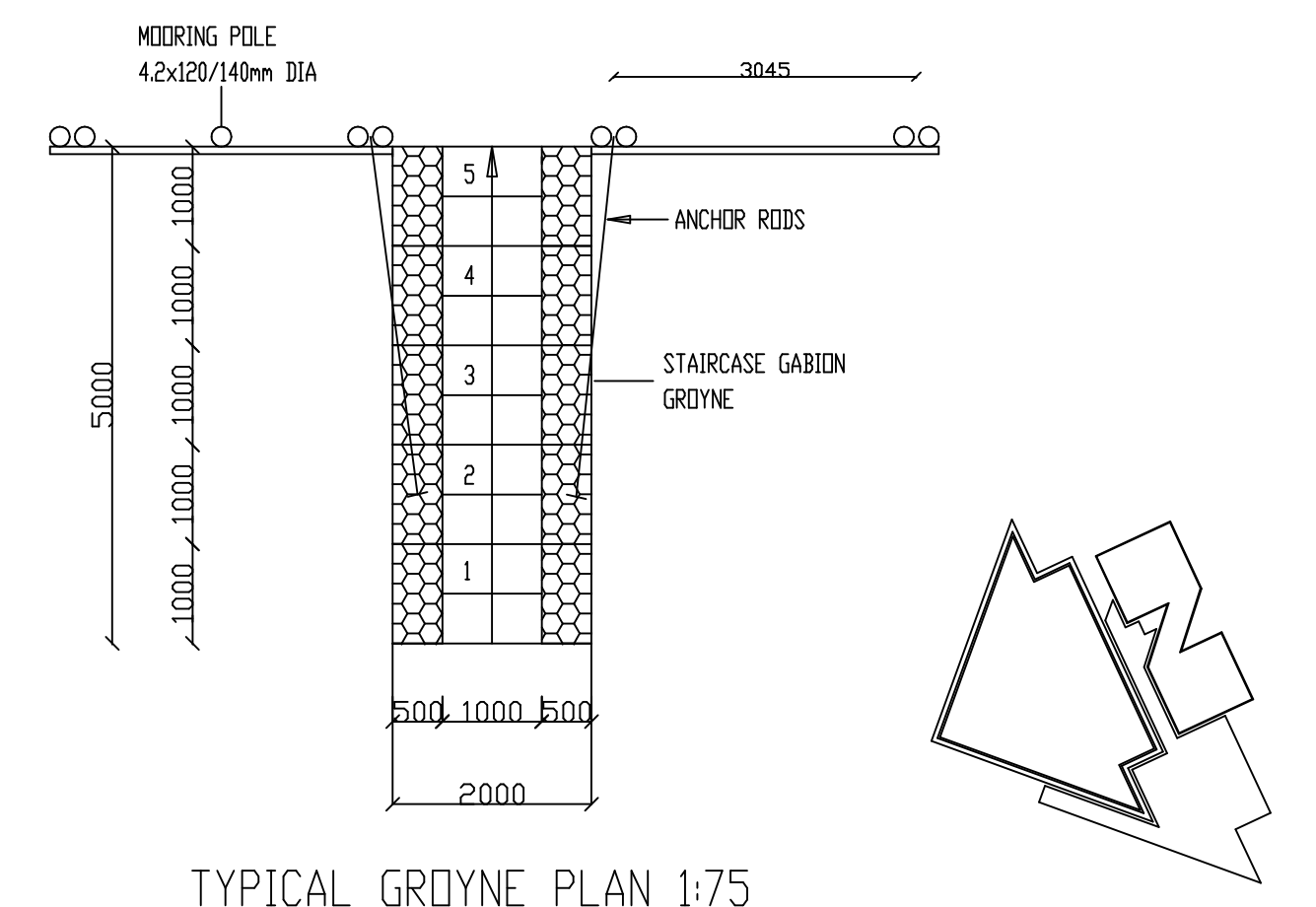
FOR CONSTRUCTION PURPOSES



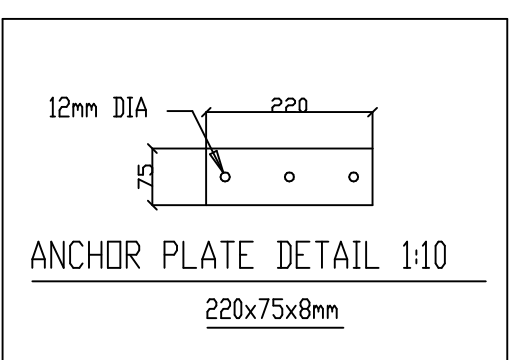
TYPICAL SECTION A-A 1:75



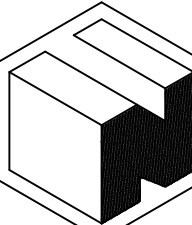
TYPICAL STAIRCASE SECTION 1:75



TYPICAL GROUPE PLAN 1:75



LAYOUT OF SHORE LINE PROTECTION STRUCTERS 1:500

PROJECT		
PROPOSED SHORELINE PROTECTION MEASURES SILVESTREAMS PLETTENBERG BAY		
CLIENT		
SILVESTREAMS SHARE BLOCK Pty Ltd P.O.BOX 15 STORMS RIVER		
TITLE		
PROPOSED LAYOUT OF NEW FLOATING JETTIES		
ENGINEERS		
 NIEUWOUDT & CO. NOEL CENTRE MAIN STREET PLETTENBERG BAY tel: 044-533 6891 fax: 044-533 6892 e-mail : nieuplett@isat.co.za		
DATE	REVISION	DRAWING NO
27/08/2014	O	NO8/116-14